



• ED1225 Series.

DC Brushless fan.

Size: 120 x 120 x 25 mm

4.7 x 1 Inches.

Airflow: Max. 120 CFM / 3.4 m³/min

Plastic Impeller / Plastic Frame.

Model No.	Rated Voltage	Voltage Range	Input Power	Rated Current	Ref Speed	Max. Airflow		Max. Static Pressure		Noise Level	PQ Curves
	VDC	VDC	Watt	Amp	RPM	CFM	m ³ /min	Inch/H ₂ O	mmH ₂ O	dB (A)	
ED1225-12H**	12	8~13.8	5.4	0.45	3100	120	3.4	0.24	6.1	42	H
ED1225-12M**	12	8~13.8	4	0.35	2500	90	2.5	0.19	4.83	35	M
ED1225-12L**	12	8~14	2.5	0.2	1900	70	2	0.15	3.81	25	L
ED1225-24H**	24	14~26	5.5	0.23	3100	120	3.4	0.24	6.1	42	H
ED1225-24M**	24	14~26	4.1	0.17	2500	90	2.5	0.19	4.83	35	M
ED1225-24L**	24	14~27.6	2.4	0.1	1900	70	2	0.15	3.81	25	L
ED1225-48H**	48	22~55	4.5	0.09	3100	120	3.4	0.24	6.1	42	H
ED1225-48M**	48	22~55	3.5	0.07	2500	90	2.5	0.19	4.83	35	M
ED1225-48L**	48	22~56	2.9	0.06	1900	70	2	0.15	3.81	25	L

** = "BL" for wire lead type Ball bearing, or "BT" for terminal type Ball bearing.

*We reserve the right to change data and improve electrical & mechanical design without notice. data tolerance +10%

Motor

Motor Type: Brushless DC Motor, auto cutoff, auto restart
 Burnout Protection: Electronically protected, polarity protected
 IP Protection: Ratings on request

Mechanical

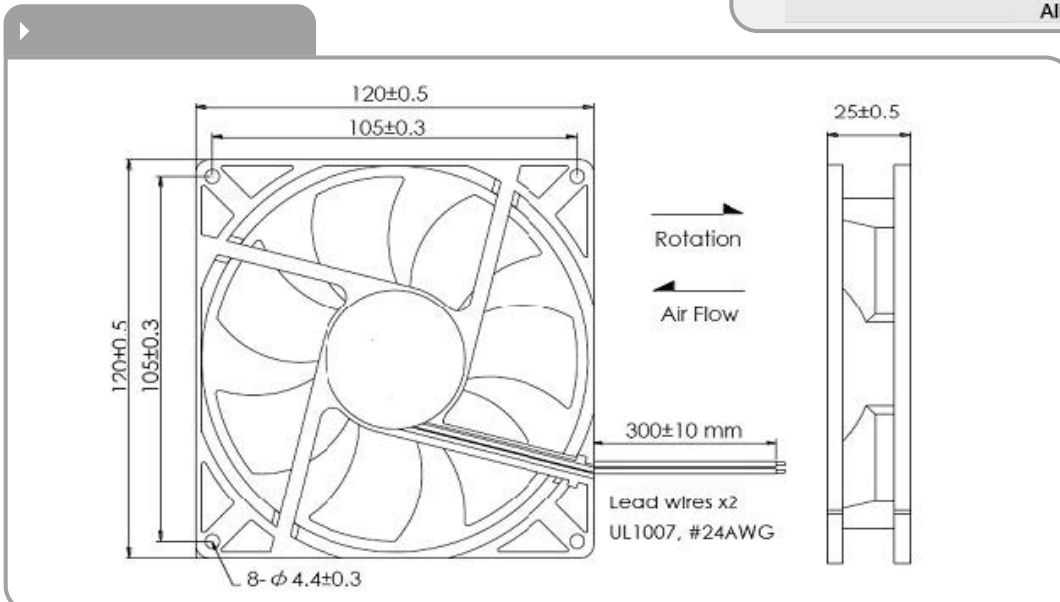
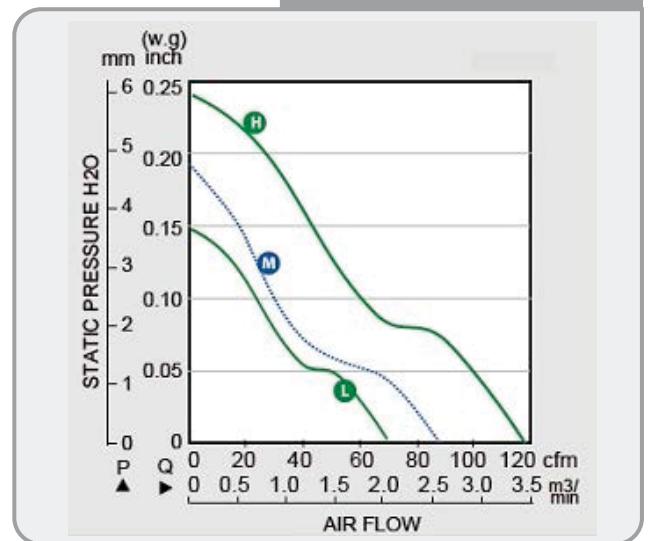
Frame: Glass fiber reinforced thermoplastic, rated UL94V-0(PT)
 Impeller: 7 blades, glass fiber reinforced plastic, rated UL94V-0
 Bearing: Two ball bearings
 Rotation: CCW seen on rotor
 Connection: Wire lead
 Weight: 152 g (0.319 Lbs)

Electrical

Dielectric Strength: 500 VAC/min. Max leakage 500mA
 Speed Control: Optional: PWM, S/C NTC thermister on request
 Signal Output: Optional: R/D alarm output, tachometer output F/G

Environment

Operating Temp: Ambient non-condensing -20°C~+65°C
 Storage Temp: -25°C~+80°C (at 65%RH)
 Life Expectancy: L10 60K hours at 35°C, 30K hours at 55°C



Fan Accessories

